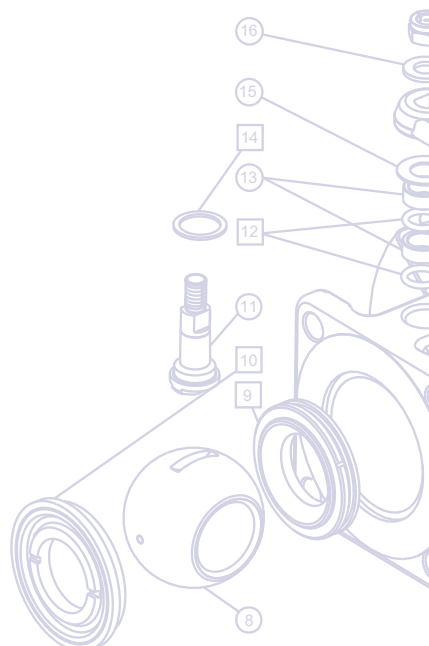
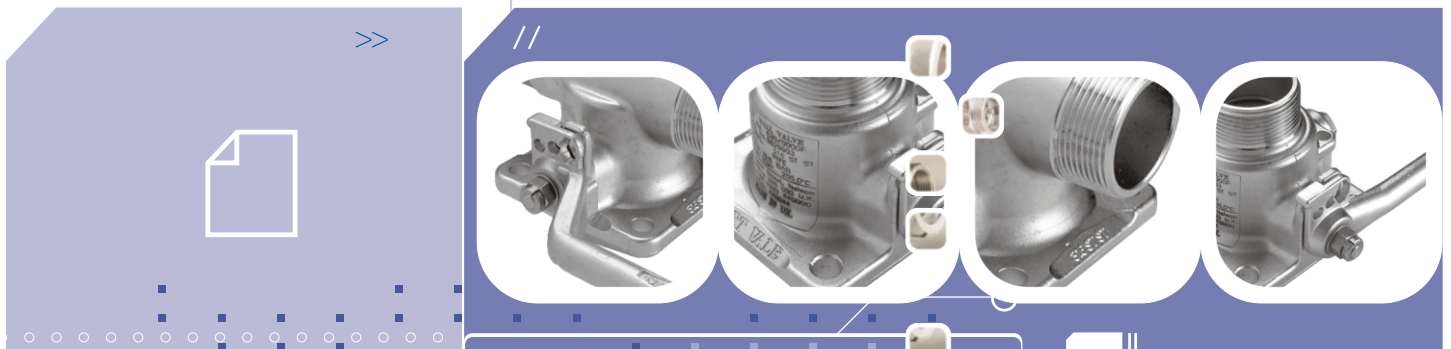




AIRLINE
EQUIPMENT
CATALOGUE
//



The Fort Vale
Range of Airline
Ball & Butterfly
Valves

AIRLINE BALL VALVES //

- » 1½" BLACKO AIRLINE BALL VALVE
- » 1½" DUAL FITTING BLACKO AIRLINE BALL VALVE
- » 1½" FLANGED BLACKO AIRLINE BALL VALVE
- » 2" FULL BORE BLACKO AIRLINE BALL VALVE

AIRLINE BUTTERFLY VALVES //

- » 2" BSP AIRLINE BUTTERFLY VALVE
- » MKII 2" FLANGED AIRLINE BUTTERFLY VALVE

ANCILLARIES //

- » TANK WELD-IN FLANGES
- » AIRLINE VALVE INSTALLATION



FORT VALE



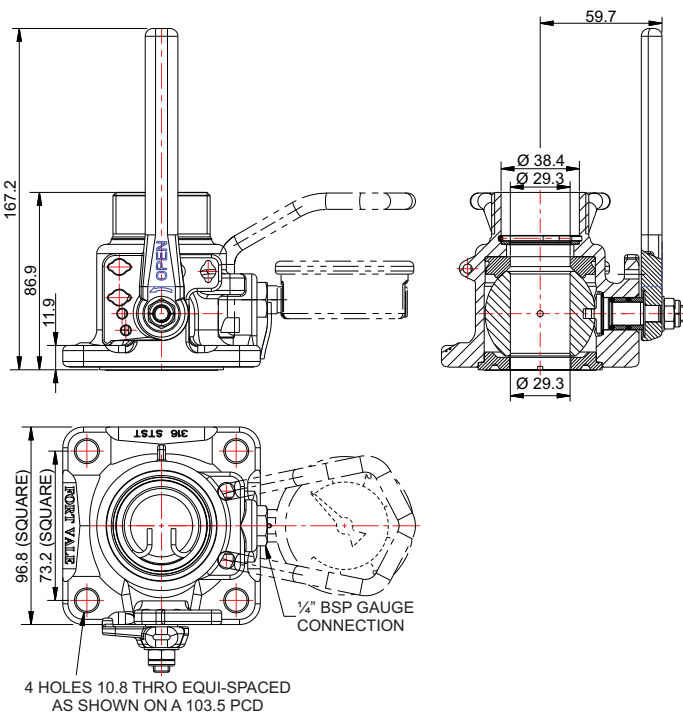
1½" Airline Ball Valve - 1½" BSP male inlet.

Complete with pressure gauge connection and TIR facility to handle. Contact parts manufactured in 316 stainless steel with PTFE seals.

Options - gauge guard and/or gauze filter, ¼" BSP plug with TIR wire.

Fitting Details

Part Number : 530/0000



Specification

Weight	2.9 Kg
Design Pressure	MAWP 10 Bar (145 PSIG)
Test Pressure	21.4 Bar (310 PSIG)
Design Temperature	-55°C to 205°C (-67°F to 401°F)

Approved to BS EN14432.

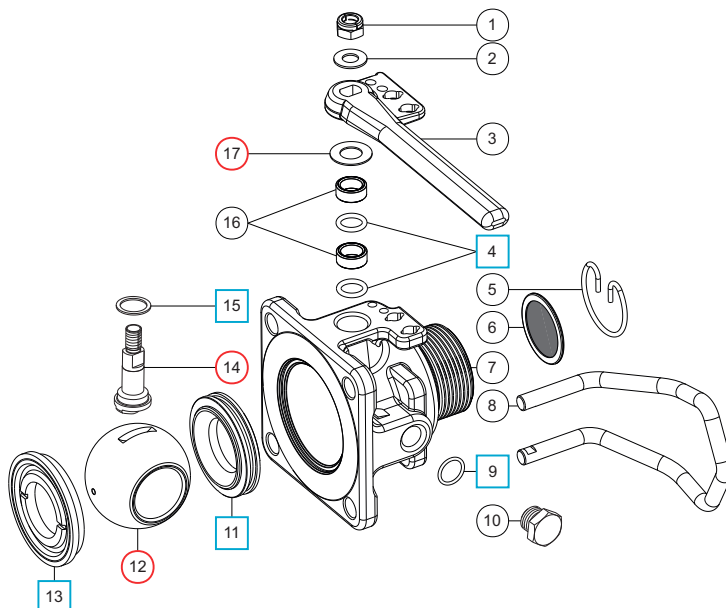
Range

Part No.	Description
530/0000	1½" BSP inlet standard valve.
530/0000F	1½" BSP inlet valve with gauze.
530/0000G	1½" BSP inlet valve with gauge guard.
530/0000FG	1½" BSP inlet valve with gauze and gauge guard.
530/0000W	1½" BSP inlet valve with ¼" BSP plug and TIR wire.

Associated Parts

Associated Parts	Part No.
Gauge	920/07BBSP
Gauge Adaptor	352/4004
1½" BSP Dust Cap	10300PS
Stud Kit	350/1300
Tank Pad	350/0025

Parts drawing



Item	Description	Part No.
1	Self-locking nut	5112-031
2	M8 washer	5113-005
3	Handle	531/0025
4	PTFE O ring (2)	5005-008 <input type="checkbox"/> <input type="radio"/>
5	Snap ring (optional suffix 'F')	5120-017
6	Gauze filter (optional suffix 'F')	353/0010
7	Valve body	530/0100
8	Gauge guard (optional suffix 'G')	530/0040
9	PTFE O ring	5005-048 <input type="checkbox"/> <input type="radio"/>
10	¼" BSP plug	5128-005
11	Front ball seal	5005-006 <input type="checkbox"/> <input type="radio"/>
12	Ball	350/0002 <input type="radio"/>
13	Rear ball seal	5005-007 <input type="checkbox"/> <input type="radio"/>
14	Spindle	530/0001 <input type="radio"/>
15	PTFE washer	5003-002 <input type="checkbox"/> <input type="radio"/>
16	Stuffing boss (2)	530/0003
17	Disc spring	5113-036 <input type="radio"/>

Repair Kits: Items marked are included in Repair Kit 530/00RK
Seal Kits: Items marked are included in Seal Kit 530/00SK

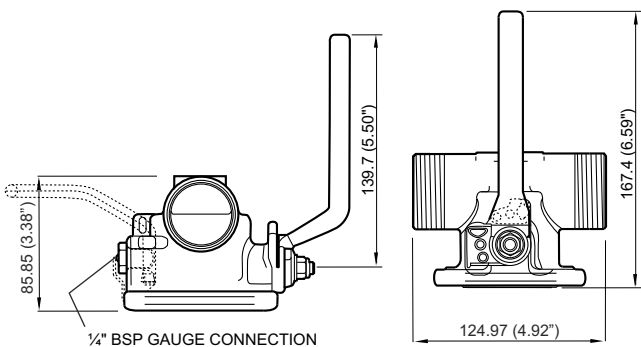
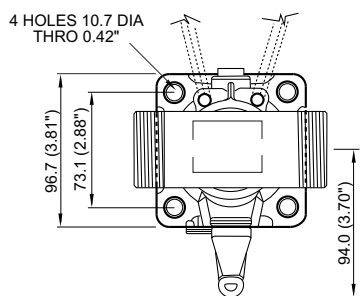


1½" Dual Inlet Airline Ball Valve - 1½" BSP and 1½" NPT male inlet connections. Complete with pressure gauge connection and TIR facility to handle. Contact parts manufactured in 316 stainless steel with PTFE seals.

Optional extras - gauge guard and/or gauze filter.

Fitting Details

Part Number : 530/0300



Specification

Weight 5.25 Kg
 Design Pressure MAWP 10 Bar (145 PSIG)
 Test Pressure 21.4 Bar (310 PSIG)
 Design Temperature -55°C to 205°C (-67°F to 401°F)

Approved to BS EN14432.

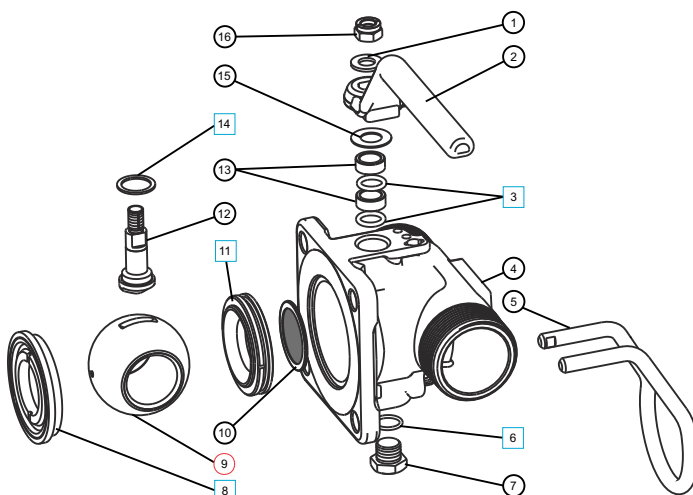
Range

Type	Gauze	Gauge Guard	Part No.
1½" BSP-1½" NPT	Without	Without	530/0300
1½" BSP-1½" NPT	With	Without	530/0300F
1½" BSP-1½" NPT	With	With	530/0300FG
1½" BSP-1½" NPT	Without	With	530/0300G

Associated Parts

Associated Parts	Part No.
Gauge	920/07BBSP
Gauge Adaptor	352/4004
BSP Cap	10300PS
NPT Cap	10300PNT
Stud Kit	350/1300
Tank Pad	350/0025

Parts drawing



Item	Description	Part No.
1	M8 washer	5113-005
2	Handle	530/0020
3	PTFE O ring (2)	5005-008 <input type="checkbox"/> <input type="radio"/>
4	Valve body	530/0301
5	Gauge guard (optional suffix 'G')	530/0040
6	PTFE O ring	5005-048 <input type="checkbox"/> <input type="radio"/>
7	¼" BSP plug	5128-005
8	Rear ball seal	5005-007 <input type="checkbox"/> <input type="radio"/>
9	Ball	350/0002 <input type="radio"/>
10	Gauze filter (optional suffix 'F')	353/0010
11	Front ball seal	5005-006 <input type="checkbox"/> <input type="radio"/>
12	Spindle	530/0001
13	Stuffing boss (2)	530/0003
14	PTFE washer	5003-002 <input type="checkbox"/> <input type="radio"/>
15	Disc spring	5113-036
16	Self-locking nut	5112-031

Repair Kits: Items marked included in Repair Kit - 530/00RK
Seal Kits: Items marked included in Seal Kit - 530/00SK

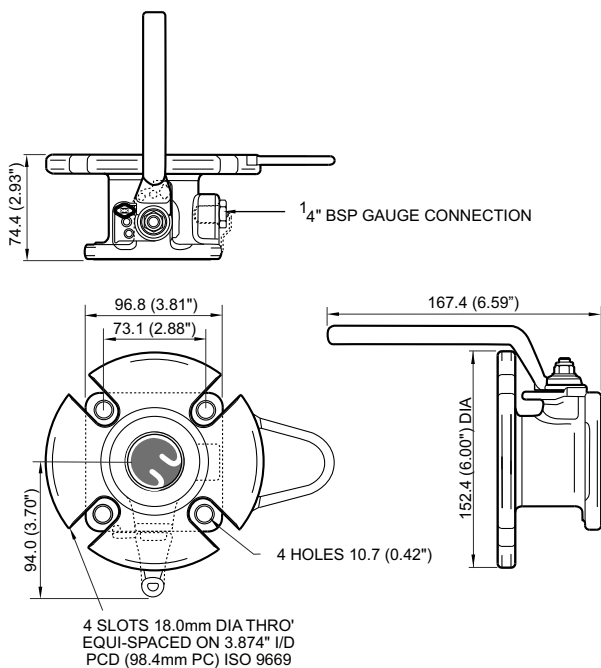


1½" Flanged Airline Ball Valve - inlet flange slotted to 1½" BSTD/1½" ASA 150. Complete with pressure gauge connection, gauge guard and TIR facility to handle. Contact parts manufactured in 316 stainless steel with PTFE seals.

Optional extra - gauze filter.

Fitting Details

Part Number : 530/1000



Specification

Weight	3.7 Kg
Design Pressure (MAWP)	7 Bar (101 PSIG)
Test Pressure	15 Bar (217 PSIG)
Design Temperature	-55°C to 205°C (-67°F to 401°F)

Approved to BS EN14432.

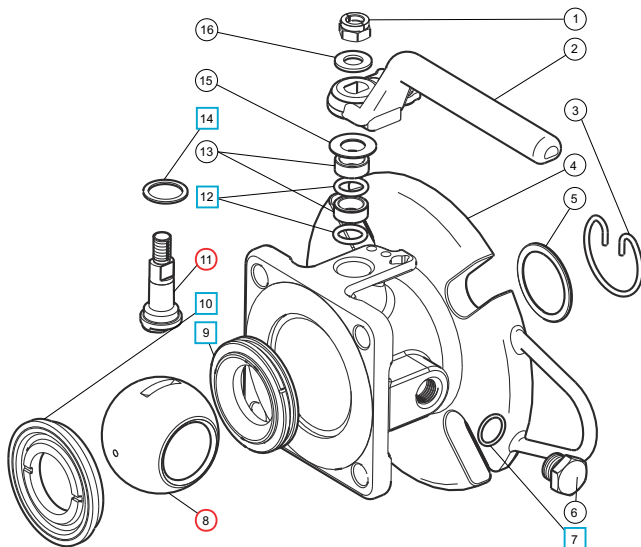
Range

Inlet Flange	Gauze	TIR	Gauge Guard	Part No.
1½"BSTD/ASA	Without	Standard	Standard	530/1000
1½"BSTD/ASA	With	Standard	Standard	530/1000F

Associated Parts

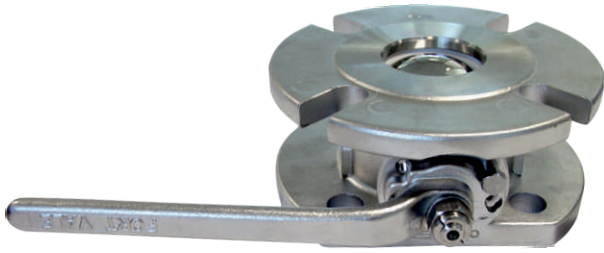
Associated Parts	Part No.
Blind Flange	530/8053CM
Bolting Kit	311/3500
Gasket	5005-348
Stud Kit	350/1300
Tank Pad	350/0025

Parts drawing



Item	Description	Part No.
1	Self locking nut	5112-031
2	Handle	530/0020
3	Snap ring (optional suffix 'F')	5120-017
4	Valve body	530/1100
5	Gauge filter (optional suffix 'F')	353/0010
6	¼" BSP plug	5128-005
7	PTFE O ring	5005-048 <input type="checkbox"/> <input type="radio"/>
8	Ball	350/0002 <input type="radio"/>
9	Front ball seal	5005-006 <input type="checkbox"/> <input type="radio"/>
10	Rear ball seal	5005-007 <input type="checkbox"/> <input type="radio"/>
11	Spindle	530/0001 <input type="radio"/>
12	PTFE O ring (2)	5005-008 <input type="checkbox"/> <input type="radio"/>
13	Stuffing boss (2)	530/0003
14	PTFE washer	5003-002 <input type="checkbox"/> <input type="radio"/>
15	Disc spring	5113-036
16	M8 washer	5113-005

Repair Kits: Items marked included in Repair Kit - 530/00RK (item 6 x2)
Seal Kits: Items marked included in Seal Kit - 530/00SK

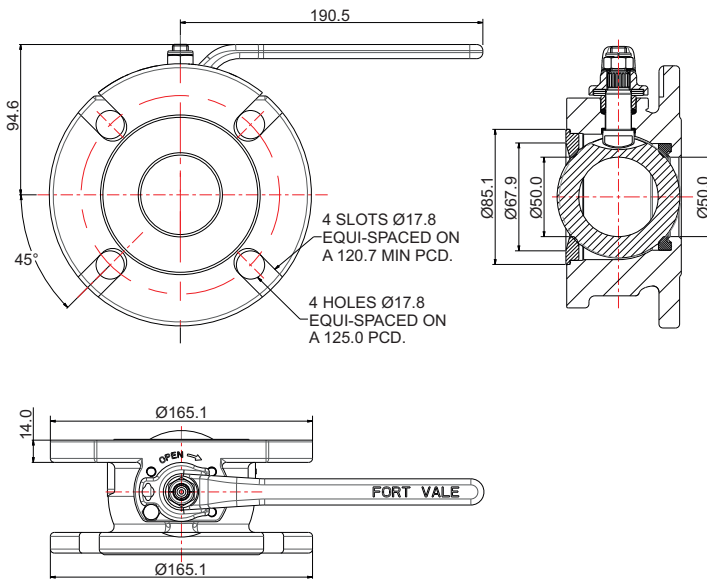


2" Full Bore Blacko Ball Valve - inlet flange drilled 4 x 18mm holes on a 125mm PCD (DIN50 PN16); outlet flange with 4 x 18mm open slots on a 120.7mm minimum diameter to suit 2" ASA150 and DIN50 PN40. Left hand operated with TIR facility to handle. Contact parts manufactured in 316 stainless steel with PTFE seals.

Options - A full range of air inlet and discharge ball valves is available, both manually and mechanically actuated. Steam-heated version.

Fitting Details

Part number : 370/0100



Recommended bolt torque 81 Nm (60 Lb/ft)

Specification

Weight	5.5 Kg
Design Pressure (MAWP)	7.5 Bar (108.8 PSI)
Hydraulic Test Pressure	15 Bar (217.5 PSI)
Design Temperature Range	-40°C to 205°C (-40° F to 400°F)

Design Approval by Lloyds Register of Shipping Approved to BS EN14432

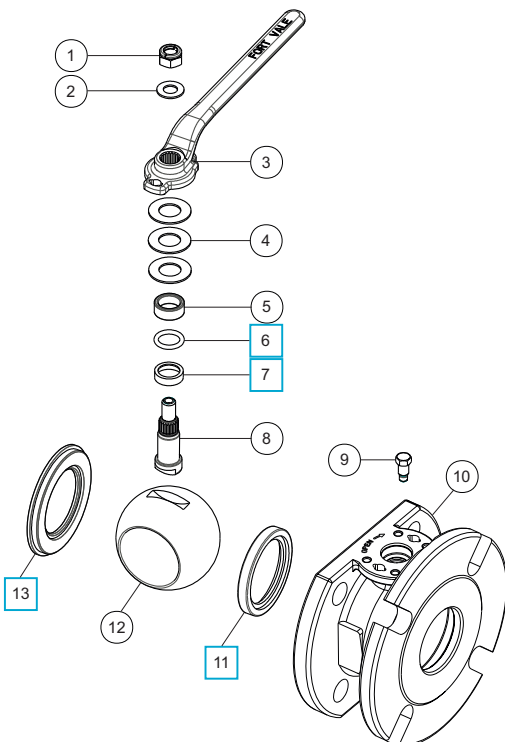
Range

Part No.	Description
370/0100SH	c/w steam heating provision
370/0140	c/w DN80 inlet adaptor & outlet blind flange
370/0150	c/w 2" BSP outlet spigot flange
370/0180	c/w outlet blind flange

Associated Parts

Associated Parts	Part No.
Tank weld-in pad	355/3100
Stud kit	311/3700
Outlet gasket	5005-361
Blind flange	370/4239CM
Bolting kit	311/3500

Parts drawing



Item	Description	Part No.
1	M10 self lock nut	5112-008
2	M10 plain washer	5113-009
3	Handle	370/0125
4	16mm Belleville washer (3)	5113-038
5	Stuffing collar	370/0103
6	PTFE O ring	5005-688 <input type="checkbox"/>
7	Bottom bearing	370/0104 <input type="checkbox"/>
8	Spindle	370/0120
9	Stop bolt	370/0107
10	2" ballvalve body	370/0110
11	PTFE seal	370/0102 <input type="checkbox"/>
12	50mm ball	370/3301
13	PTFE seal	370/0105 <input type="checkbox"/>

SEAL KIT

Part number 370/01SK contains all parts marked

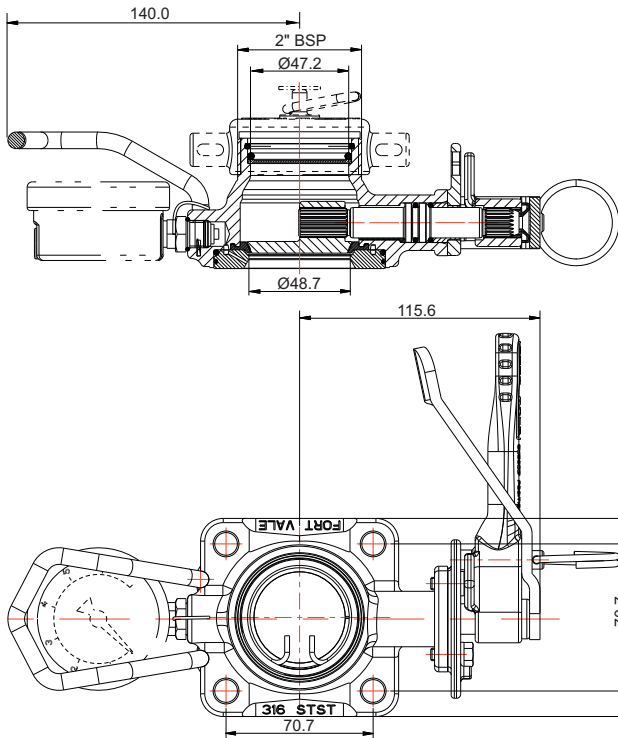


2" Airline Butterfly Valve - 2" BSP male inlet. Complete with pressure gauge connection, gauge guard and TIR facility to handle. Contact parts manufactured in 316 stainless steel with PTFE seals.

Optional extras - gauze filter or sintered filters are available.

Fitting Details

Example shown : 535/0200X



Specification

Weight	3.7 Kg *See Note
Design Pressure (MAWP)	6.9 Bar (100 PSIG)
Test Pressure	12.5 Bar (181 PSIG)
Design Temperature	-40°C to +190°C (-40°F to +374°F)

Note : Weight varies according to valve specification

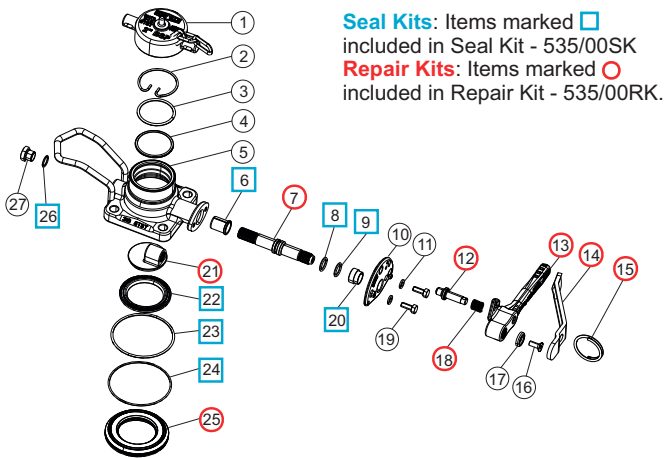
Range

Size	Inlet	Gauze	Part No.
2"	2" BSP thread	Without	535/0200
2"	2" BSP thread	Gauze Filter	535/0200F
2"	2" BSP thread	Sintered Disc	535/0200S

Associated Parts

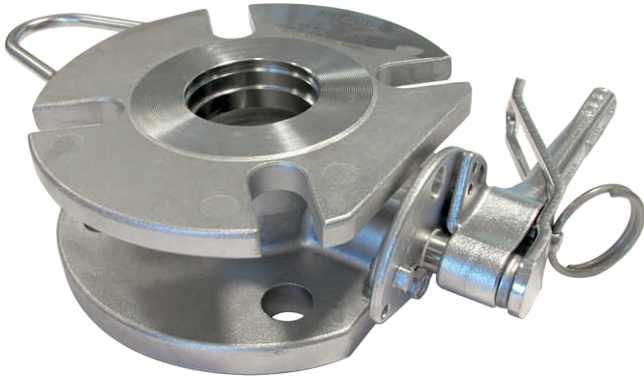
Associated Parts	Part No.
Dust Cap	10301PS
Gauge	920/07BBSP
Gauge Adaptor	352/4004
Stud Kit	350/1300
Gasket	5005-500
Tank Pad	355/1000

Parts drawing



Item	Description	Part No.
1	2" BSP dust cap (supplied separately)	10301PS
2	Snap ring (Optional F,S)	5120-005
3	Spacer (Optional F,S)	355/0295
4	Gauze filter (Optional F)	355/0010
5	Sintered filter (2) (Optional S)	355/0206
5	Body	535/0215

Item	Description	Part No.
6	PTFE bush	535/0009 <input type="checkbox"/> <input type="radio"/>
7	Spindle	535/0203 <input type="radio"/>
8	Viton O ring	20361 <input type="checkbox"/> <input type="radio"/>
9	PTFE O ring	20363 <input type="checkbox"/> <input type="radio"/>
10	Stuffing clamp	535/0204
11	Spring washer (2)	5113-008
12	Handle location pin	368/0010 <input type="radio"/>
13	Handle	535/0050 <input type="radio"/>
14	Operating lever	368/9838 <input type="radio"/>
15	Split ring	368/0011 <input type="radio"/>
16	Countersunk bolt	5111-030
17	Retaining washer	20370
18	Handle spring	368/0012 <input type="radio"/>
19	Hex bolt (2)	5111-022
20	PTFE stuffing clamp bush	368/0301 <input type="checkbox"/> <input type="radio"/>
21	Closure plate	535/0225 <input type="radio"/>
22	PTFE main seal	355/0202 <input type="checkbox"/> <input type="radio"/>
23	PTFE O ring	5005-659 <input type="checkbox"/> <input type="radio"/>
24	EPDM O ring	5005-664 <input type="checkbox"/> <input type="radio"/>
25	Clamp plate	535/0201 <input type="radio"/>
26	PTFE O ring	5005-048 <input type="checkbox"/> <input type="radio"/>
27	1/4" BSP plug	5128-005



2" Flanged Airline Butterfly Valve - inlet flange slotted to suit 2" BSTD minimum. 4 hole tank connection to DIN50 PN10. Complete with 1/4" BSP pressure gauge connection, gauge guard and TIR facility to handle. Contact parts manufactured in 316 stainless steel with PTFE seals.

Optional extras - gauze filter or sintered filter. TIR wire welded to gauge inlet plug.

Specification

Weight	5.9 Kg
Design Pressure (MAWP)	6.9 Bar (100 PSIG)
Test Pressure	12.5 Bar (181 PSIG)
Design Temperature Range	-40°C to 190°C (-40°F to 374°F)

Approved to BS EN14432

Range

Description	Part No.
Standard valve – no gauze/filter	535/3000
Valve with gauze filter	535/3000F
Valve with sintered filter	535/3000S
Valve with TIR wire to gauge inlet plug	535/3000W

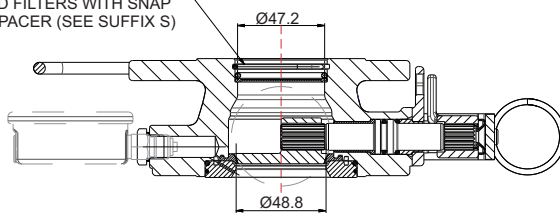
Associated Parts

Associated Parts	Part No.
Blind Flange	370/4239CM
Inlet Gasket	5005-360
Bolting Kit	311/3000
Pressure gauge	920/07BBSP
Gauge Adaptor	352/4004
Stud Kit	311/3700
Outlet Gasket	5005-361
Tank Pad	355/3100

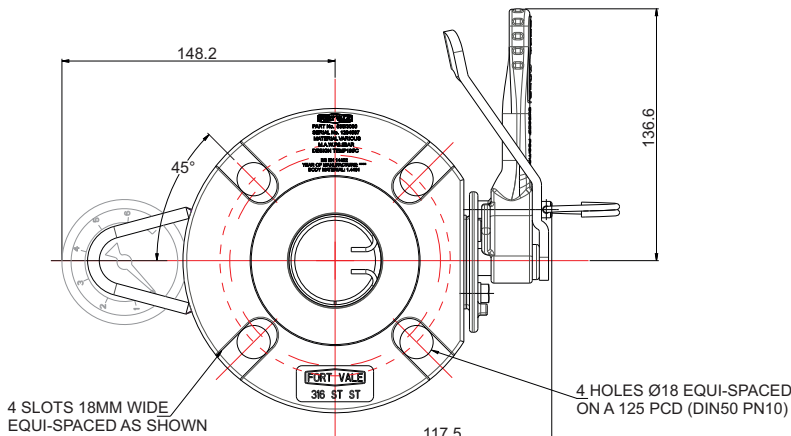
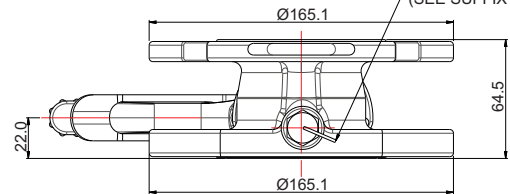
Fitting Details

Example shown : 535/3000 fitted with pressure gauge.

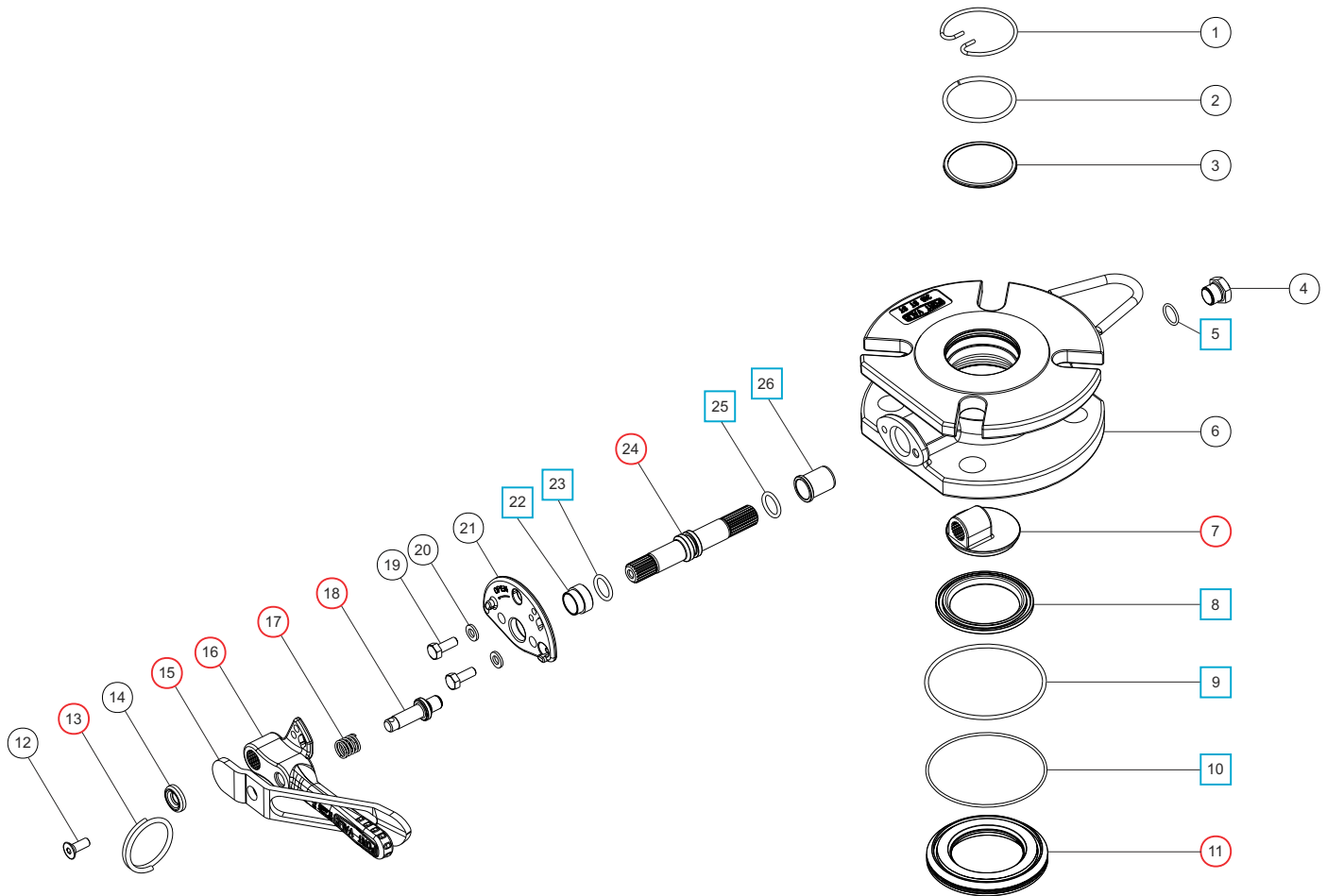
GAUZE FILTER WITH SNAP RING & SPACER (SEE SUFFIX F)
SINTERED FILTERS WITH SNAP RING & SPACER (SEE SUFFIX S)



TIR WIRE POSITION (SEE SUFFIX W)



Parts drawing

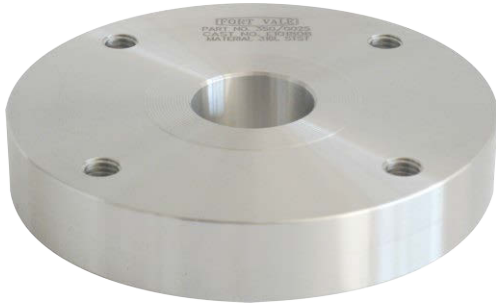


Item	Description	Part No.
1	Snap ring (Optional F,S)	5120-005
2	Spacer (Optional F, S)	355/0295
3	Gauze filter (Optional F) Sintered filter (2) (Optional S)	355/0010 355/0206
4	1/4" BSP plug	5128-005
5	PTFE O ring	5005-048 <input type="checkbox"/> <input type="radio"/>
6	Body	535/3015
7	Closure plate	535/0225 <input type="radio"/>
8	Seal	355/0202 <input type="checkbox"/> <input type="radio"/>
9	PTFE O ring	5005-659 <input type="checkbox"/> <input type="radio"/>
10	O ring	5005-664 <input type="checkbox"/> <input type="radio"/>
11	Seal plate	535/0201 <input type="radio"/>
12	M6 screw	5111-030
13	Split ring	368/0011 <input type="radio"/>
14	Retaining washer	20370
15	Operating lever	368/9838 <input type="radio"/>
16	Handle	535/0050 <input type="radio"/>
17	Location pin spring	368/0012 <input type="radio"/>
18	Location pin	368/0010 <input type="radio"/>
19	M6 x 16mm hex bolt (2)	5111-022
20	Spring washer (2)	5113-008
21	Stuffing clamp	535/0204C
22	Stuffing bush	368/0301 <input type="checkbox"/> <input type="radio"/>
23	PTFE O ring	20363 <input type="checkbox"/> <input type="radio"/>
24	Spindle	535/0203 <input type="radio"/>
25	Viton O ring	20361 <input type="checkbox"/> <input type="radio"/>
26	PTFE bearing	535/0009 <input type="checkbox"/> <input type="radio"/>

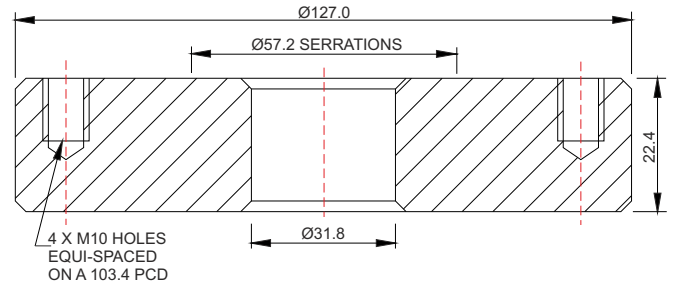
SEAL KITPart number **535/00SK** contains all parts marked **SEAL KIT**Part number **535/00RK** contains all parts marked

Part Number : 350/0025

Tank weld-in flange to suit 1½" Blacko airline ball valve.
Manufactured in 316 stainless steel.



Fitting Details

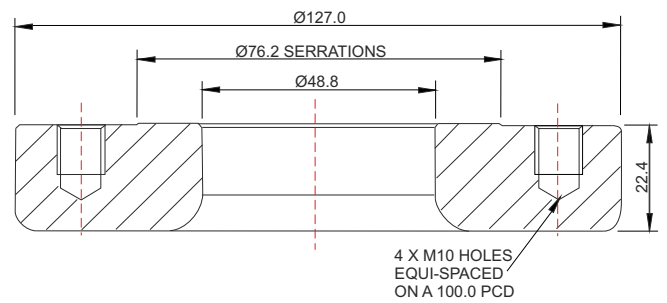


Part Number : 355/1000

Tank weld-in flange to suit 2" BSP airline butterfly valve.
Manufactured in 316 stainless steel.



Fitting Details

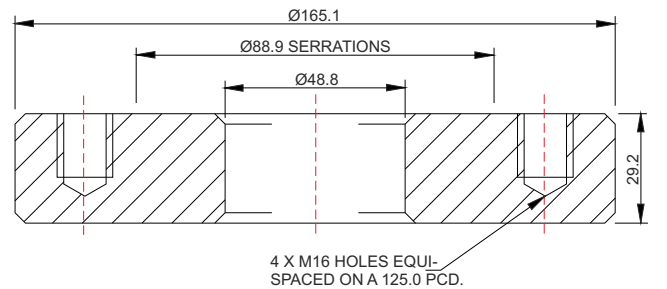


Part Number : 355/3100

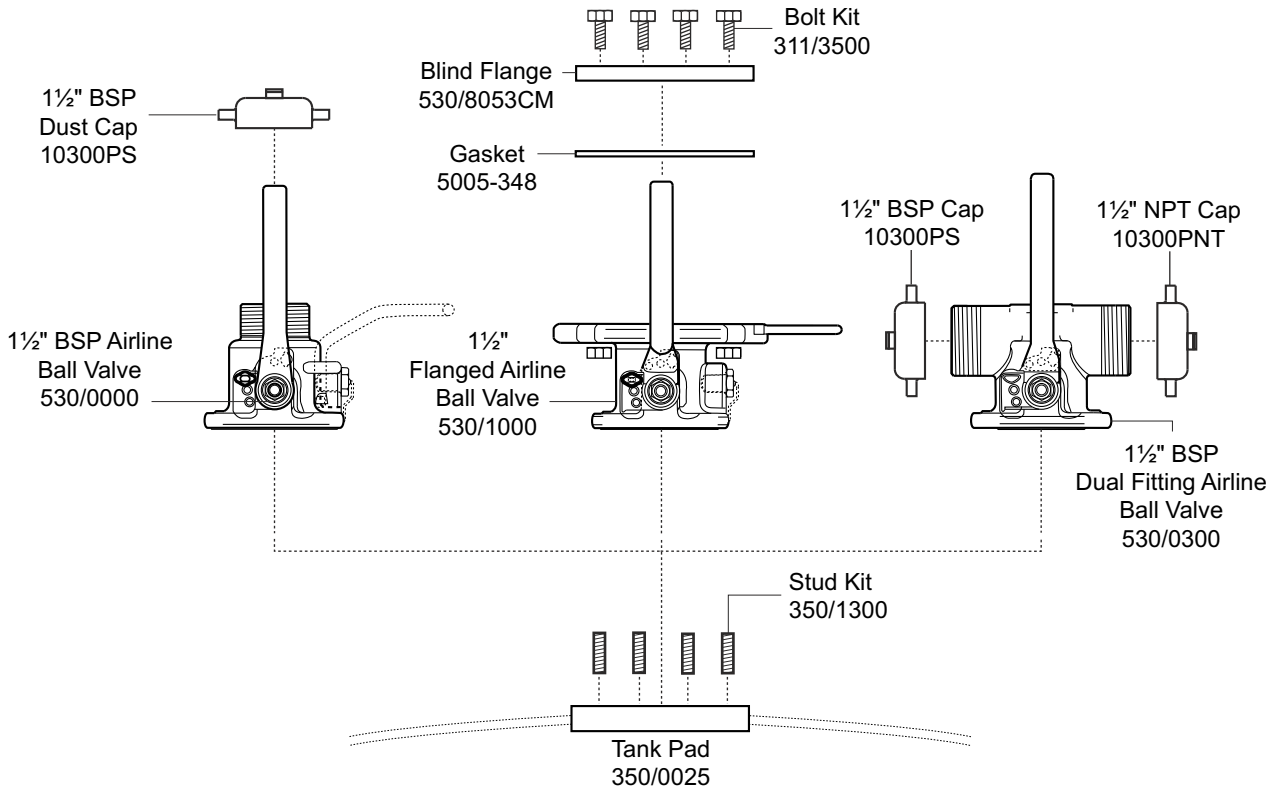
Tank weld-in flange to suit 2" flanged airline butterfly valve.
Manufactured in 316 stainless steel.



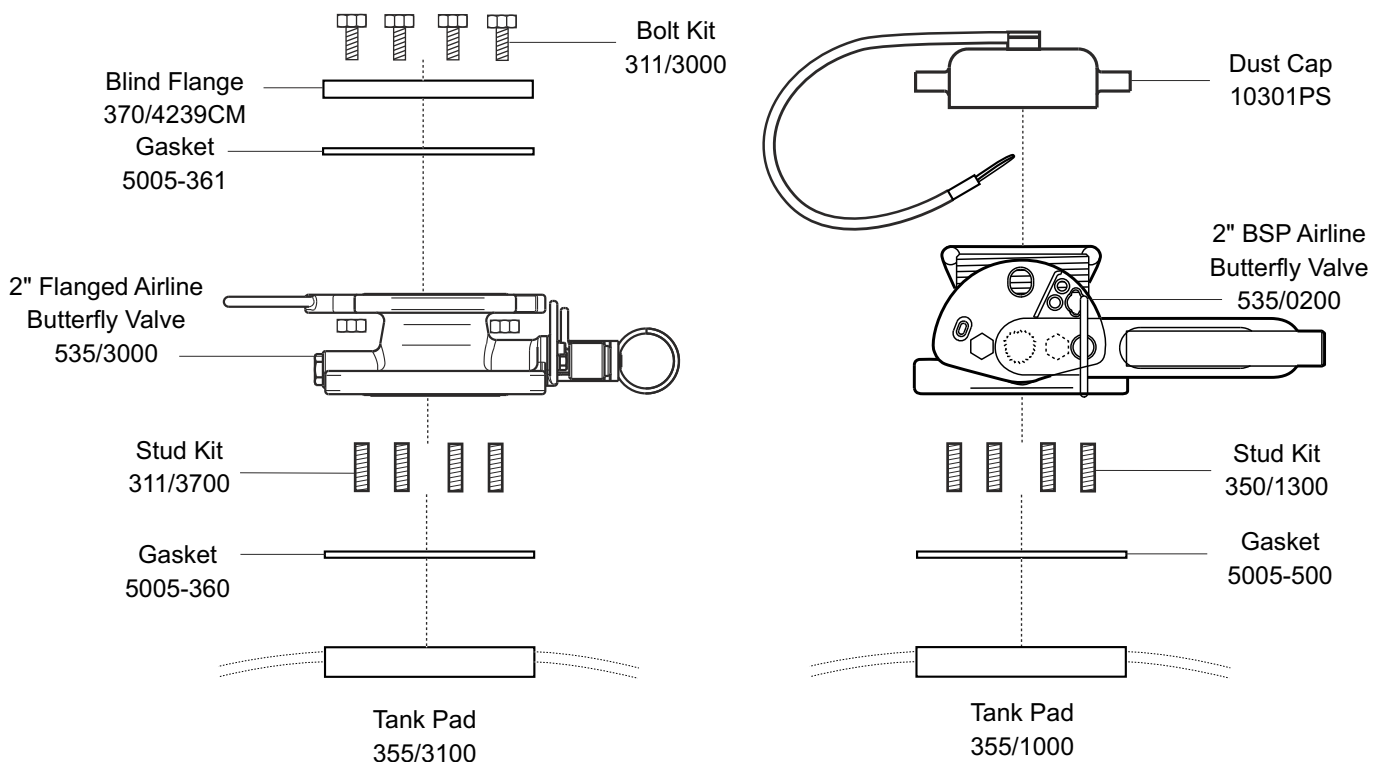
Fitting Details



1 1/2" Airline Ball Valves



2" Airline Butterfly Valves





Fort Vale UK
Head Office & Manufacturing Plant

Tel : +44 (0)1282 687120
Fax : +44 (0)1282 687110
Email : sales@fortvale.com

Fort Vale USA

Tel : +1 281 471 8100
Fax : +1 281 471 8116
Email : ussales@fortvale.com

Fort Vale Netherlands

Tel : +31 (0)180 483333
Fax : +31 (0)180 410797
Email : bvsales@fortvale.com

Fort Vale Russian Federation

Tel : +7 916 682 0947
Email : rw@fortvale.ru

Fort Vale P.R. China

Tel : +86 21 6442 1367
Fax : +86 21 6442 1376
Email : cnsales@fortvale.com

Fort Vale Singapore

Tel : +65 6515 9950
Fax : +65 6515 3034
Email : sgsales@fortvale.com

Fort Vale Australia

Tel : +61 7 3310 4854
Email : ausales@fortvale.com

All goods supplied will be subject to Fort Vale Engineering Ltd Terms and Conditions of Sale (Ref. FV4) which are available upon request, or may be viewed at www.fortvale.com.

Please note that this brochure and the contents herein remain the property of Fort Vale Engineering Limited.

This brochure may not be copied or reproduced, or the information contained herein divulged to any third party without the prior written permission of Fort Vale Engineering Limited.

Repair/refurbishment/resetting of Fort Vale valves may be carried out only by trained and authorised personnel. Fort Vale Engineering Limited shall not, in any circumstances, be liable for injuries, losses, expenses or damage, direct or consequential, sustained by the buyer or any person which may in any degree be attributable to the adoption, either by the buyer or any third party, of technical or other information, data or advice given on behalf of Fort Vale Engineering Limited or however otherwise caused in relation to the use of its products in accordance with Fort Vale Engineering Limited's recommendation.

The specifications included in this catalogue are intended to be generic and must be interpreted as equivalent or functionally equivalent. The identification of many items is facilitated by illustrations (photographs and line drawings). The mention of, or reference to specific companies, national standards, or trade names, including those that might appear on the photographs, is intended for illustration purposes only. It does not imply an endorsement, preference or availability of any specific standard, brand or supplier.

The data and information contained herein is being provided for information only and without responsibility, and Fort Vale Engineering Limited makes no representations or warranties, either expressed or implied, as to the accuracy, completeness, or fitness for a particular purpose. Fort Vale Engineering Limited does not accept any responsibility or liability with regard to the reliance on, or use of this data and information.